

TM

JINRONG WATCH

INSTRUCTIONS

JR-809F

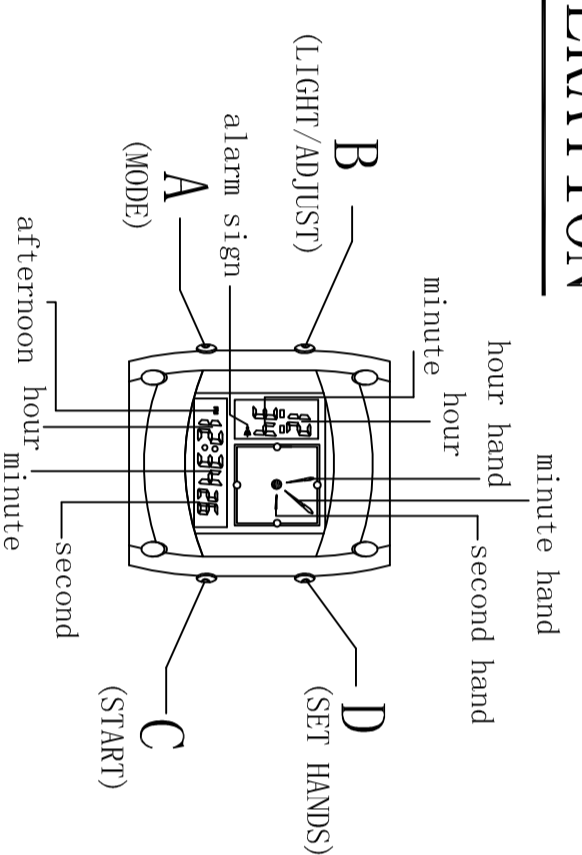
NOTICE

- Don't open the cover by yourself.
- This watch waterproof 30(Vacuum Test), don't use the button when the watch in the water inside.
- If there is water soaks or drips inside the watchcase, ask approved specialist to disassembly and repair at once, or the inner parts may damage caused by corrosion.
- Avoid being a strong vibration, electronic forms can be hearing common shock, such as gravity suffered the impact of brutal use of or fall in calm.
- Don't use it in strong electric field, static or high cycle environment.
- Don't use it in broiling or freezing environment.
- Kirtle watch surface with soft cloth and clear watch, don't use chemicals.
- As the case, strap its own characteristics, combined with humidity and other climate. The table in use for some time after the appearance of colors may be subject to change (which belongs to the normal category).
- Prolonged use of colorful lights will consume large amounts of energy.
- When not in use this watch, please place it in a dry place.
- Please read this instruction carefully before using this watch.
- Product function and appearance in order to prevent in kind.

FUNCTION AND SPECIFICATION

- Standard display: hour, minute, second, month, date
- Line needle display hour, minute, second
- LED colorful lights
- Stopwatch stage timekeeping function
- Alarm and hourly chime function
- Memory function
- Use temperature: 5°C-35°C
- Degree of accuracy at normal temperature: ±60second one month
- Battery: CR2016 3V
- Life of battery: able to supply power for 18 months under the following situation:
 - One illumination per day
 - One alarm operation per day

OPERATION



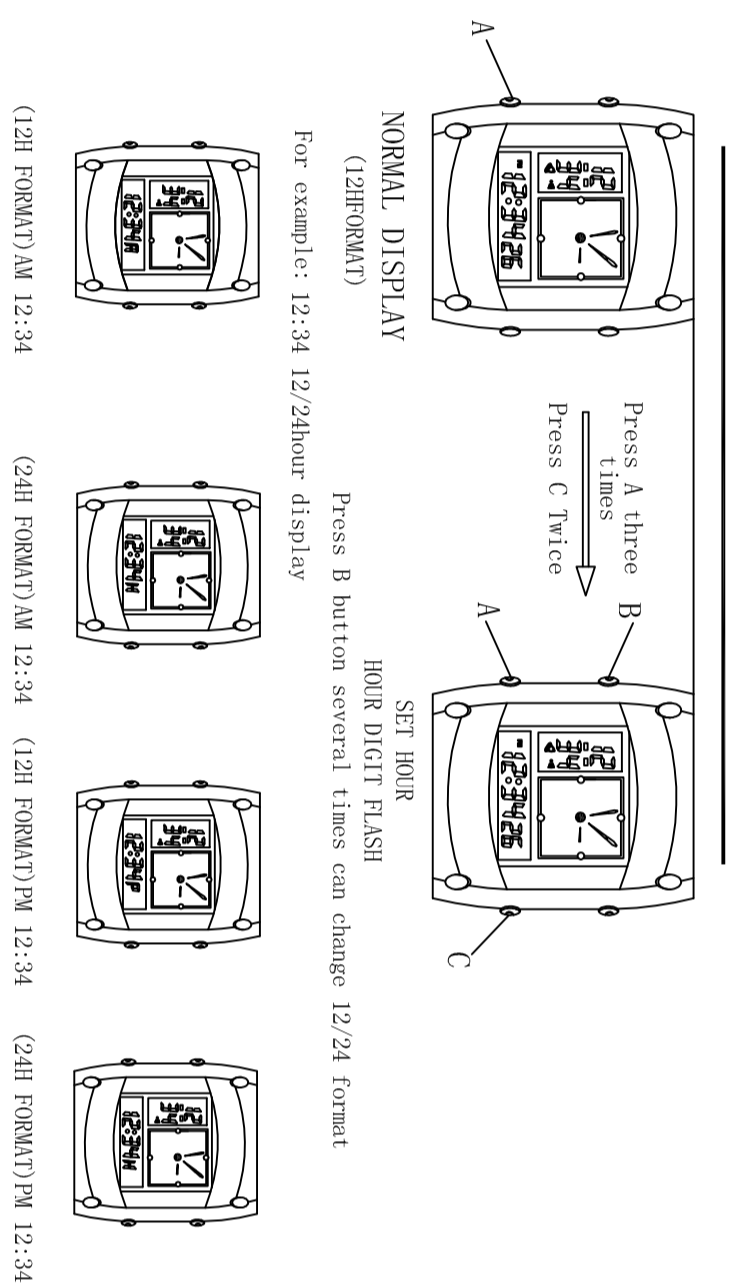
Normal display sketch map

- **BUTTON EXPLAIN**
 - A (MODE) -- function select button
 - B (LEFT) ADJUST -- LED light and can change every digit button
 - C (START) -- DIGIT CARRY BUTTON
 - D (SET) HANDS -- Line needle time adjust button

HOW TO USE LIGHT

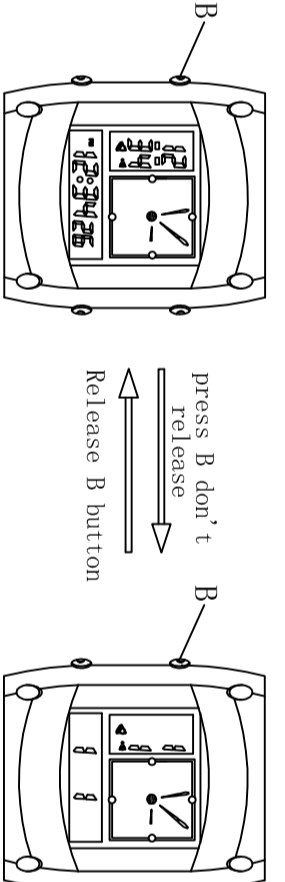
In any display mode press B button 11 LED lights. Press and hold down the colored lights can be continuously synchronized output.

HOW TO CHANGE 12/24H FORMAT



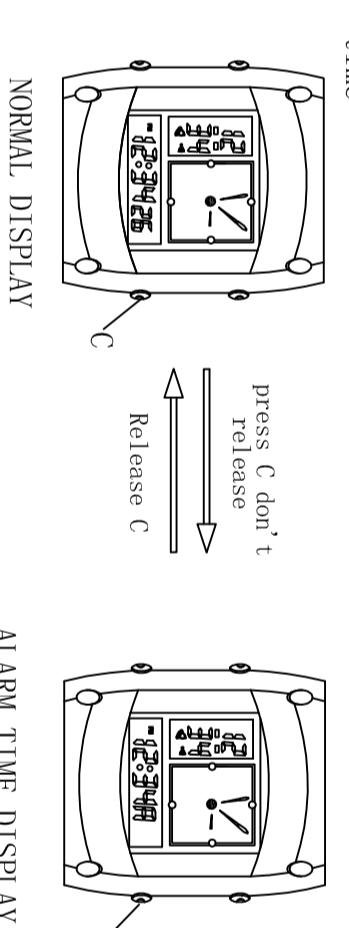
HOW TO DISPLAY THE DATE

In normal time display mode press B don't release can display the date.

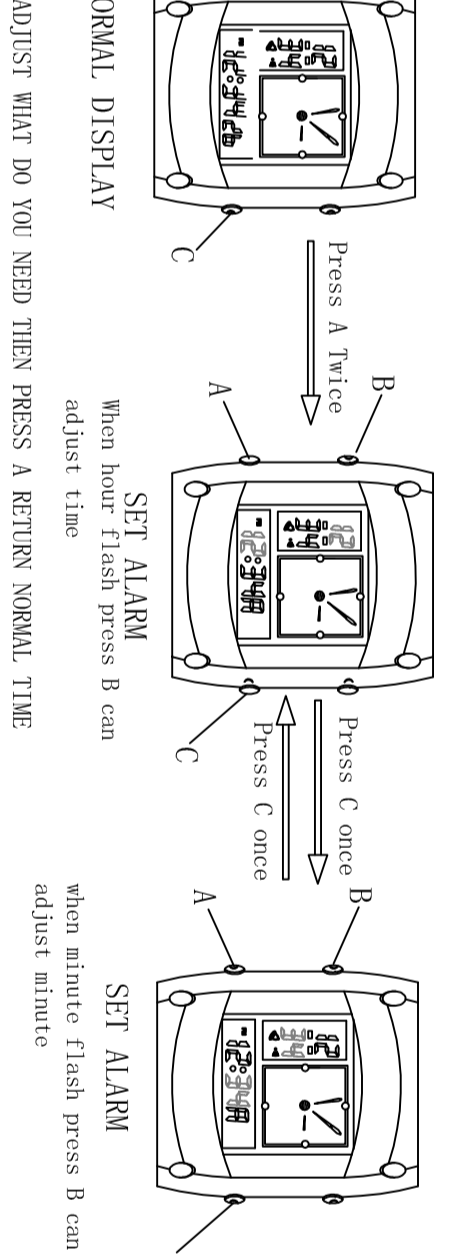


HOW TO DISPLAY THE ALARM TIME

In normal time display mode press C don't release you can see the alarm time.

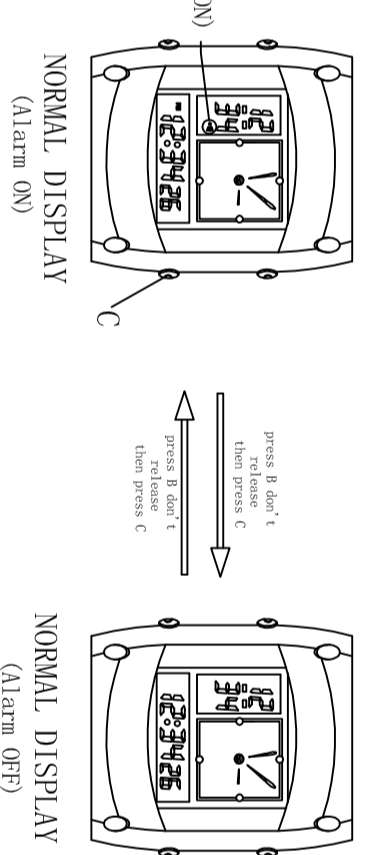


HOW SET THE ALARM TIME



HOW TO ON/OFF ALARM

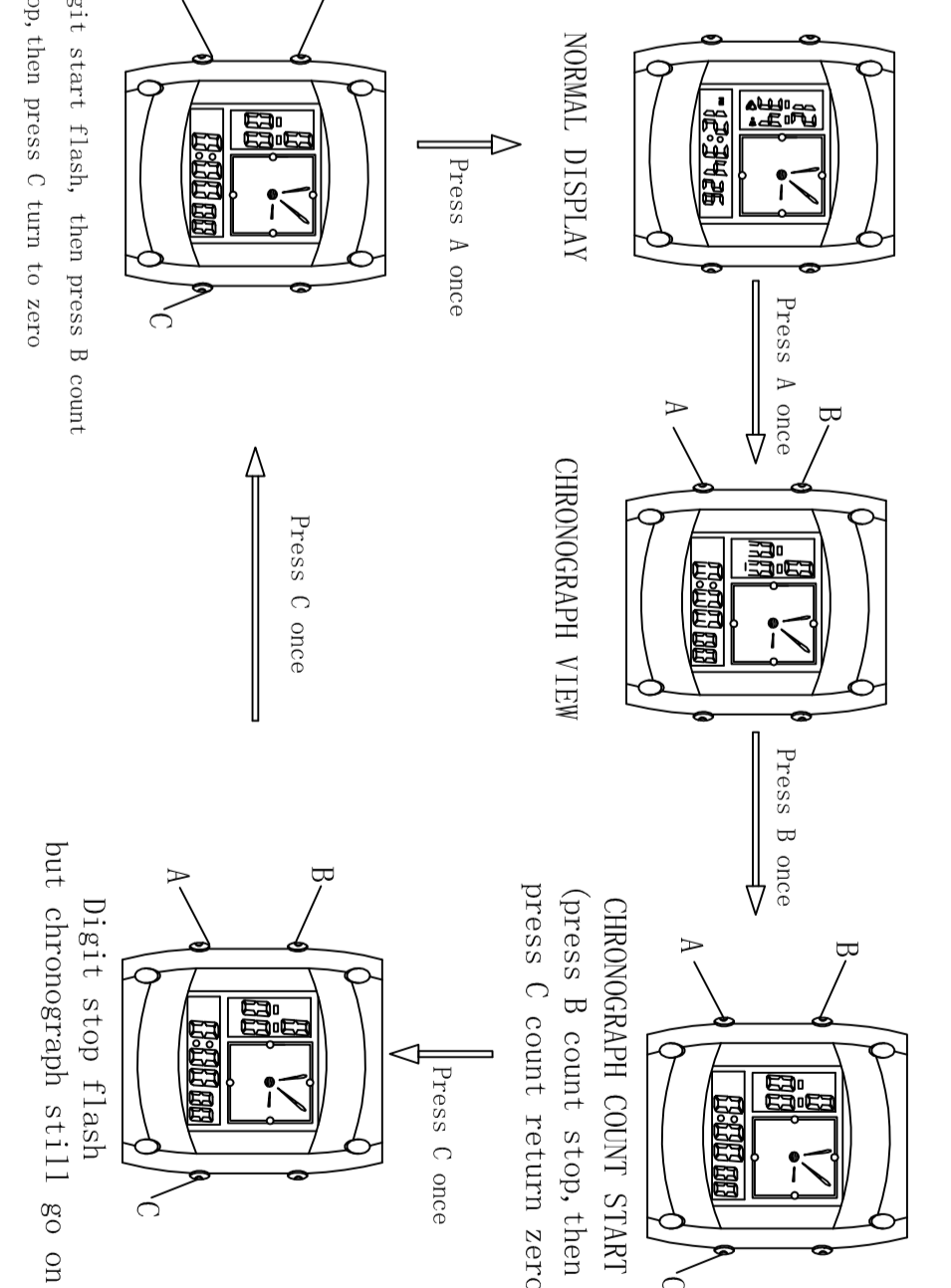
In normal time display mode press B don't release then press C to ON/OFF Alarm.



HOW TO ON/OFF HOURLY CHIME

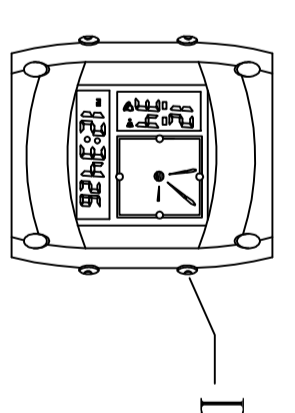
In normal time display mode press C don't release then press A to ON/OFF hourly chime.

HOW TO USE THE CHRONOGRAPH

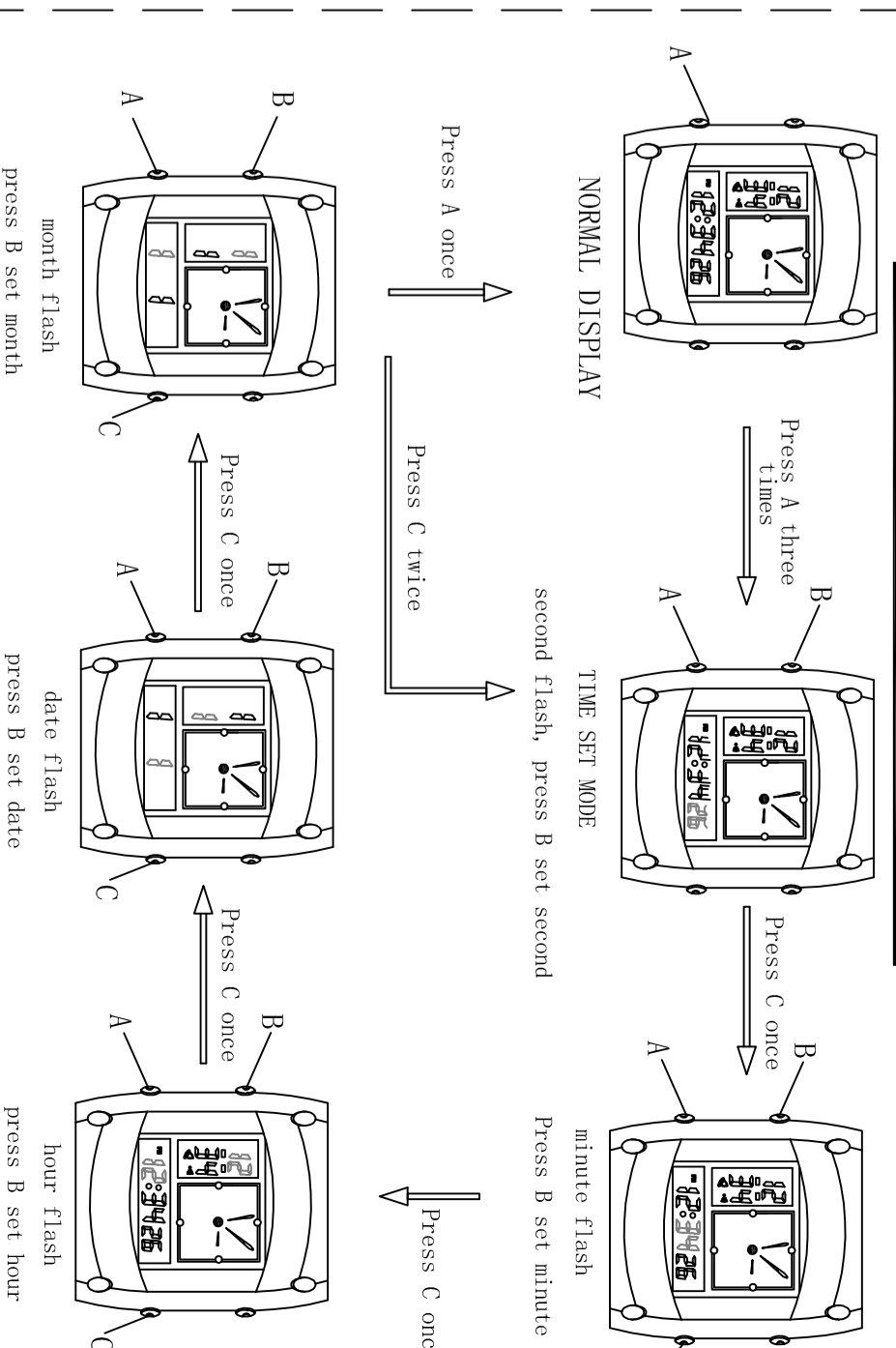


HOW TO ADJUST LINE NEEDLE TIME

In any display mode press B can adjust the needle time.



HOW TO SET TIME, DATE, WEEK



CAUTIONED

○ As the company continues to optimize the product, and consistency, the appearance and functions of the product may be slightly subject to change without notice.

○ On the use of this product may cause a third party for any losses and any compensation, the company no responsibility.

MANUFACTURERS: SHENZHEN YUJINRONG TECHNOLOGY CO., LTD.
 ADDRESS: 008714, 7141, 04131146, 0407 in Pritavice, Shen Zhen
 TEL: 0086-0755-29565589 FAX: 0086-0755-29565553
 Http://www.jinrong-cn-allibaba.com/